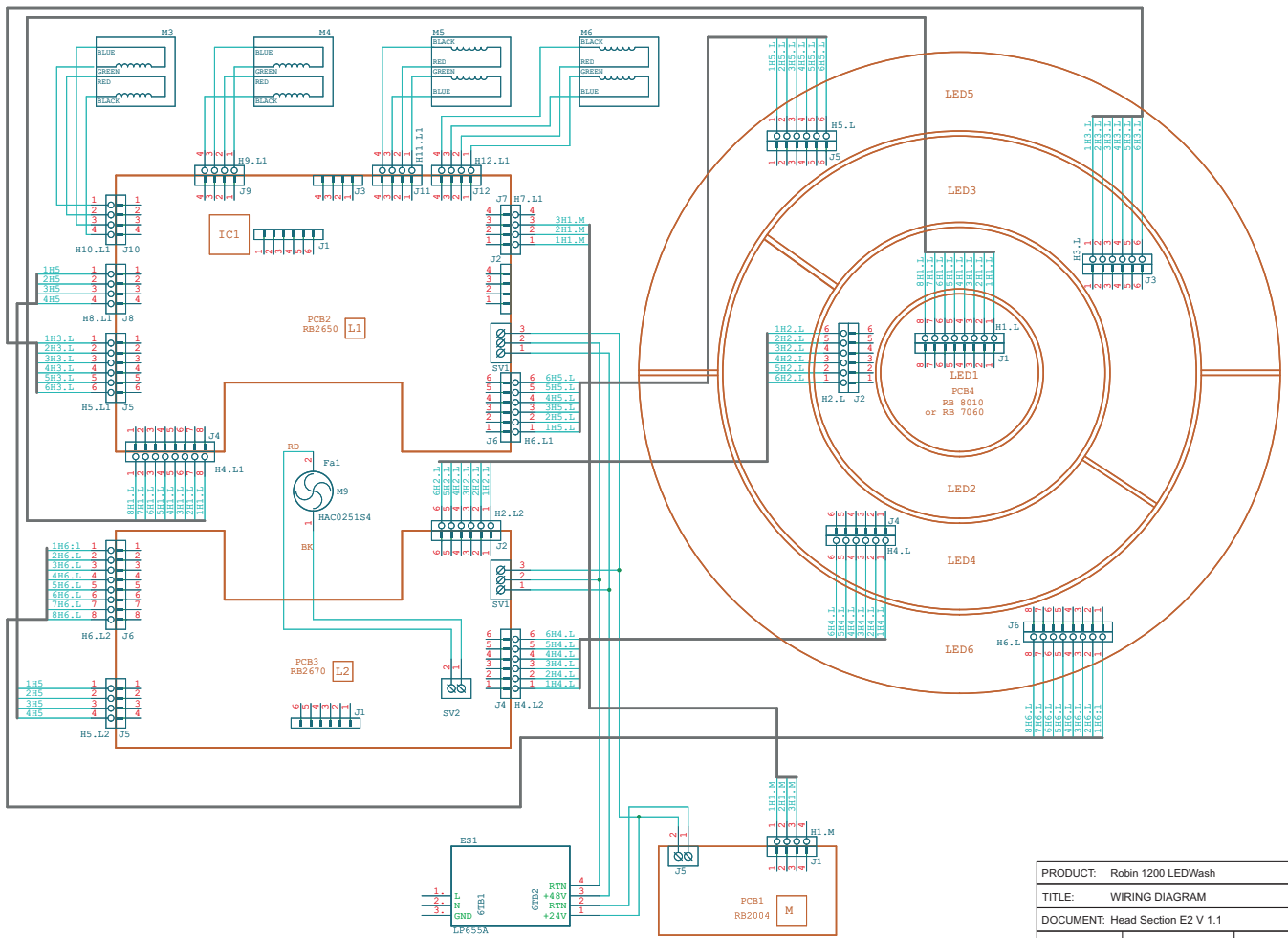
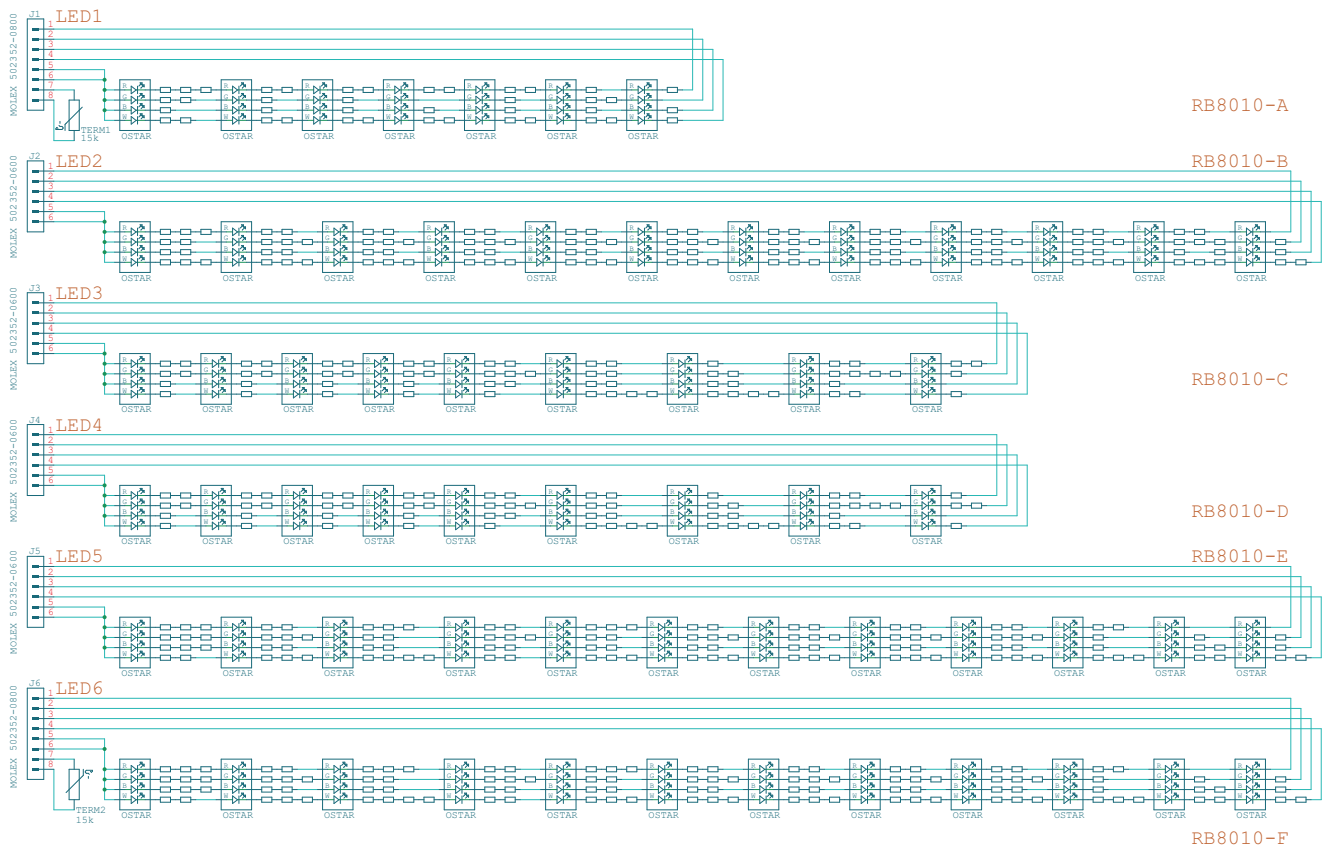


PRODUCT:	Robin 1200 LEDWash
TITLE:	WIRING DIAGRAM
DOCUMENT:	Basic Section E1 V 1.1
VERSION:	1
DATE:	07.02.2012
SHEET:	01 OF 09

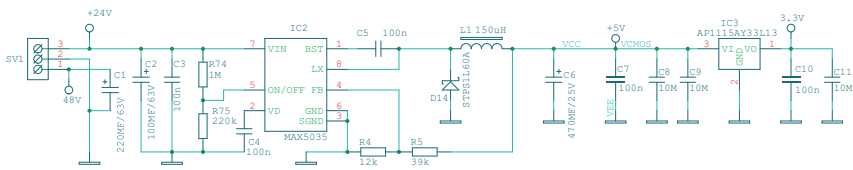
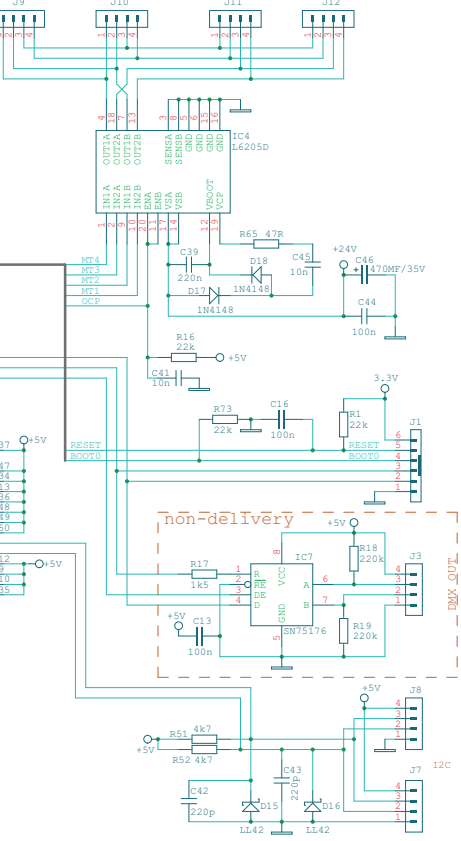
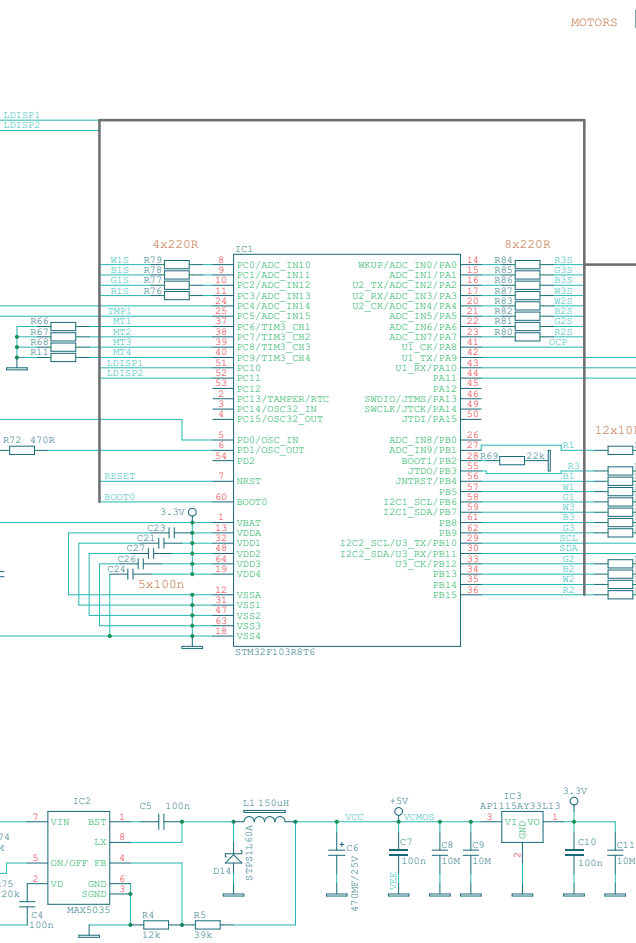
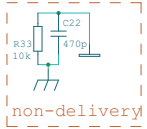
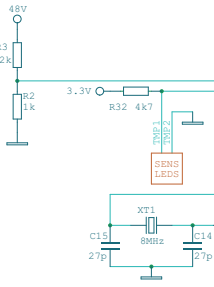
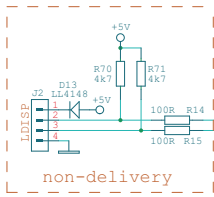


PRODUCT:	Robin 1200 LEDWash
TITLE:	WIRING DIAGRAM
DOCUMENT:	Head Section E2 V 1.1
VERSION:	1
DATE:	07.02.2012
SHEET:	02 OF 09

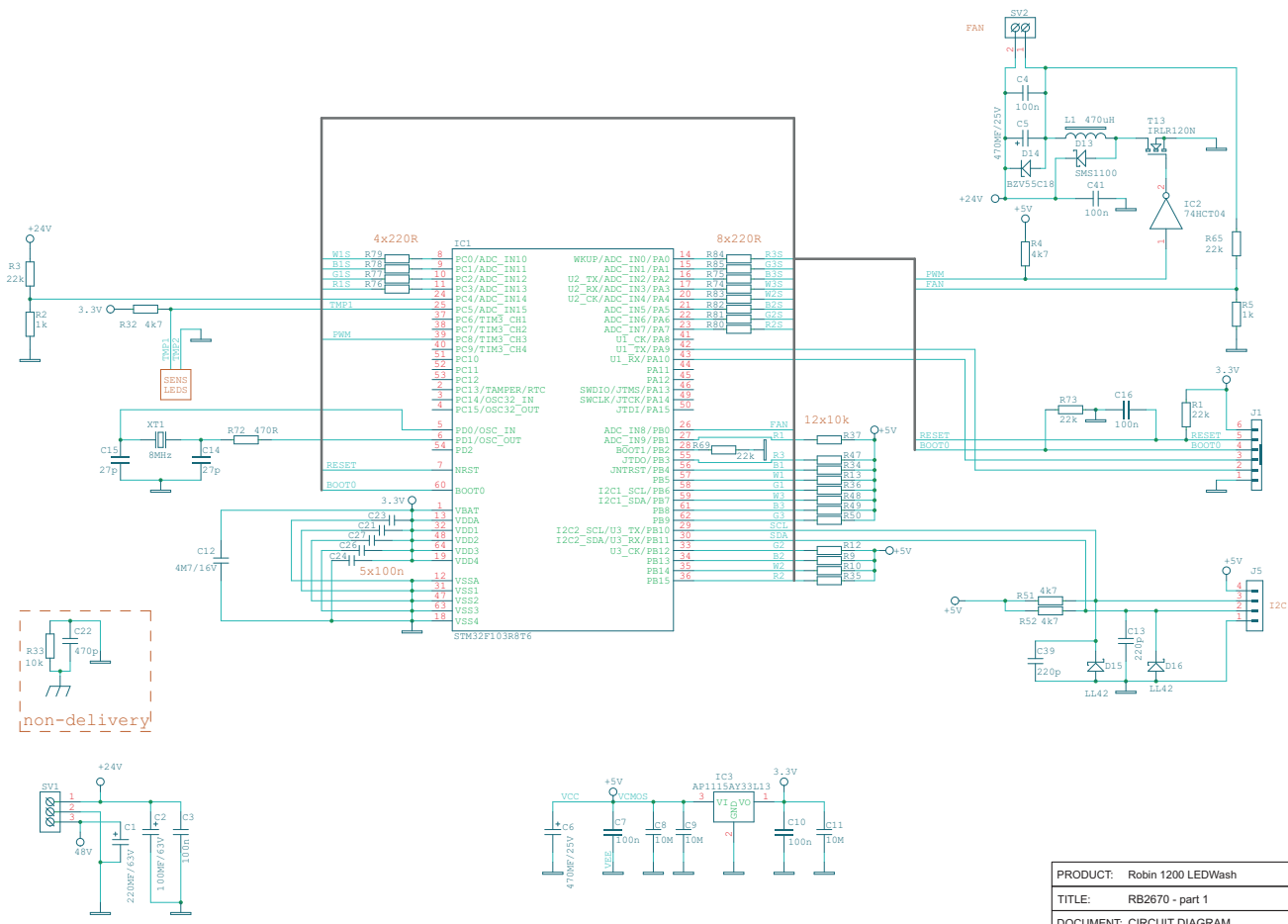


ALL 496 RESISTORS ARE 0R

PRODUCT: Robin 1200 LEDWash		
TITLE: RB8010		
DOCUMENT: CIRCUIT DIAGRAM		
VERSION: 1	DATE: 07.02.2012	SHEET: 03 OF 09

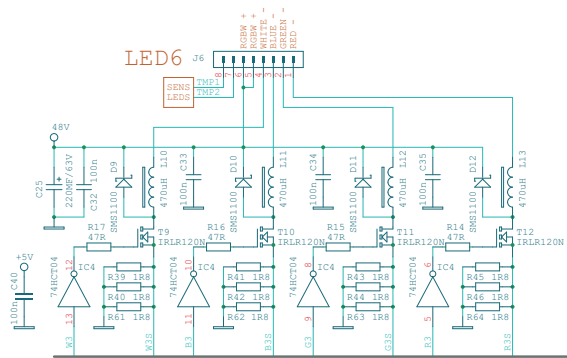
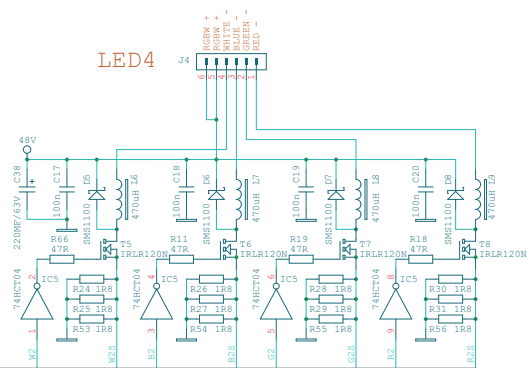
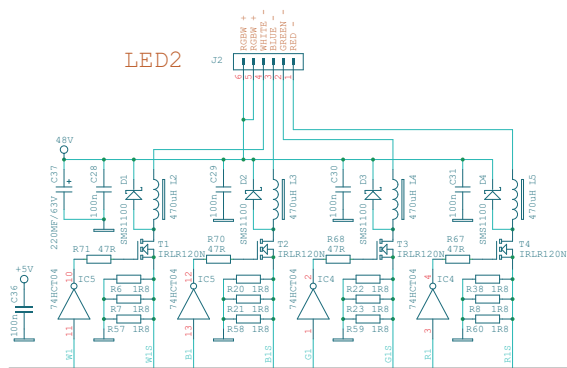


PRODUCT:	Robin 1200 LEDWash
TITLE:	RB2650 - part 1
DOCUMENT:	CIRCUIT DIAGRAM
VERSION:	1
DATE:	07.02.2012
SHEET:	04 OF 09

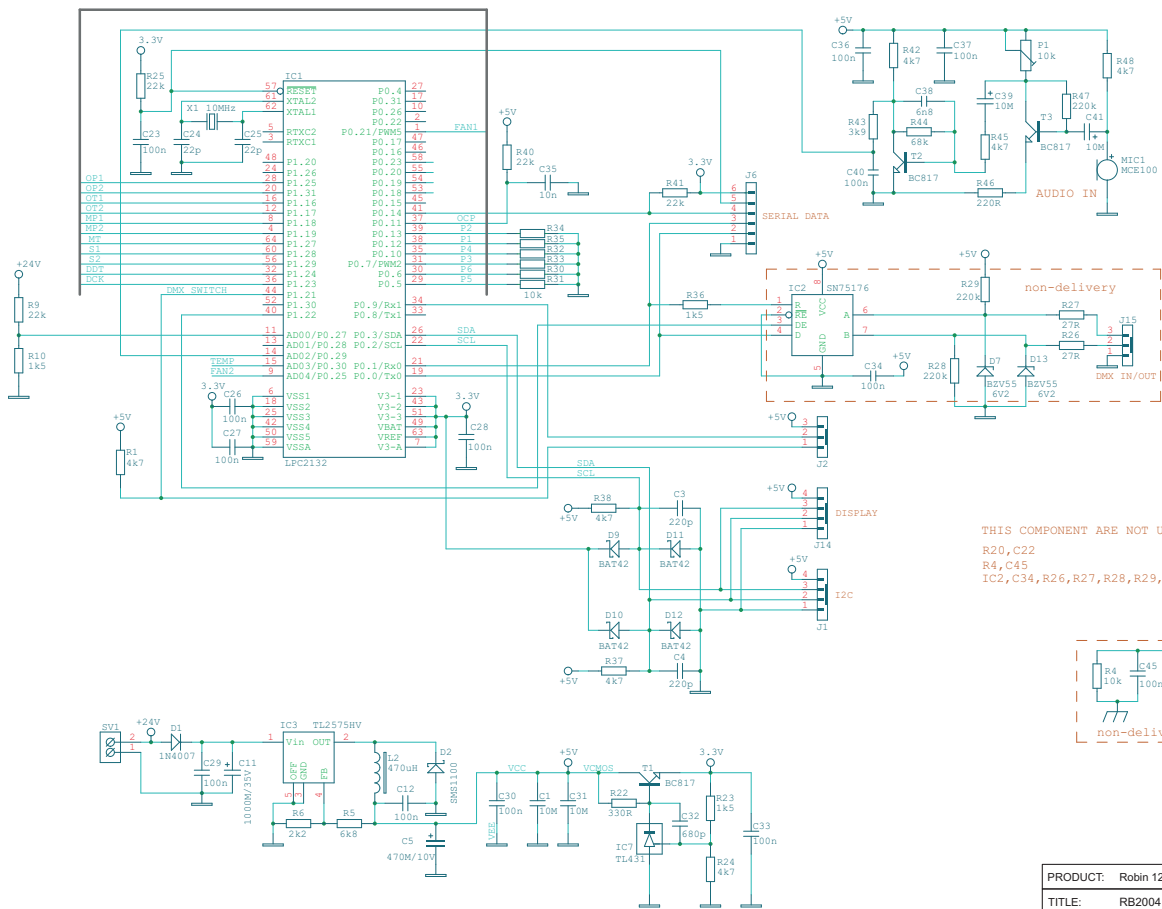


non-delivery

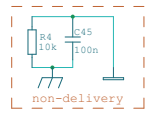
PRODUCT:	Robin 1200 LED Wash
TITLE:	RB2670 - part 1
DOCUMENT:	CIRCUIT DIAGRAM
VERSION:	1
DATE:	07.02.2012
SHEET:	06 OF 09



PRODUCT: Robin 1200 LEDWash		
TITLE: RB2670 - part 2		
DOCUMENT: CIRCUIT DIAGRAM		
VERSION: 1	DATE: 07.02.2012	SHEET: 07 OF 09



THIS COMPONENT ARE NOT USED
R20, C22
R4, C45
IC2, C34, R26, R27, R28, R29, D7, D13, J15



PRODUCT:	Robin 1200 LED Wash
TITLE:	RB2004 - part 1
DOCUMENT:	CIRCUIT DIAGRAM
VERSION:	1
DATE:	07.02.2012
SHEET:	08 OF 09

